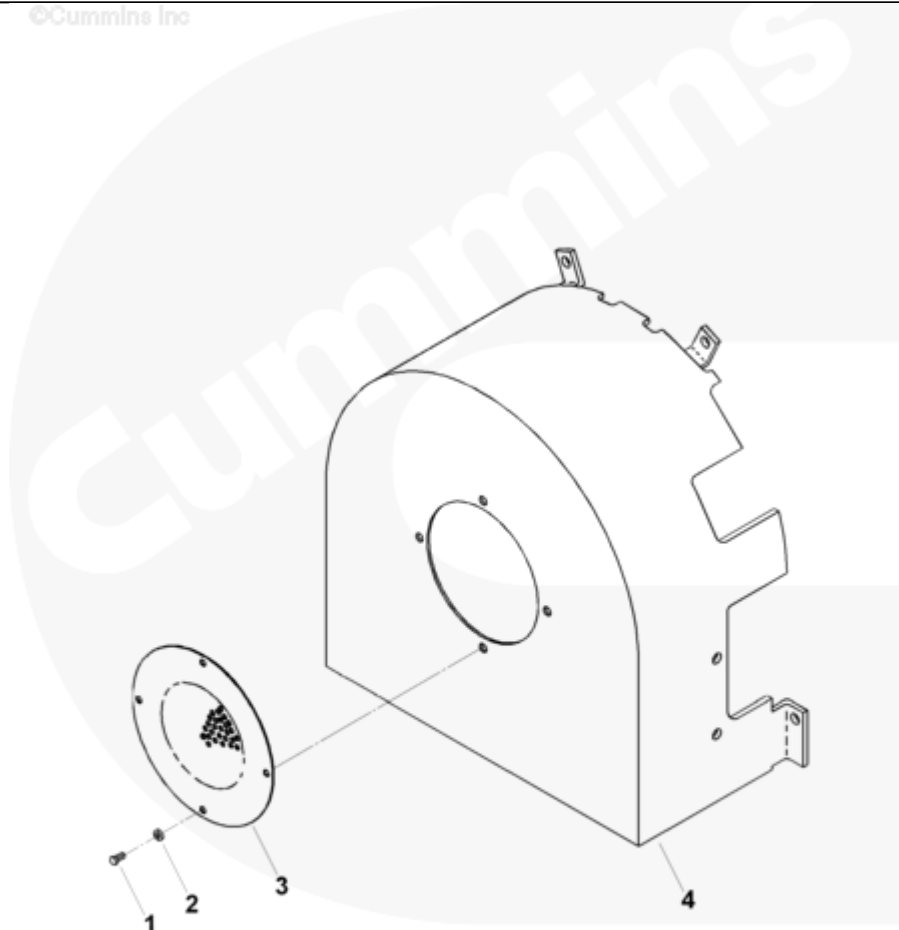




Parts Catalog - Option Detail

Electronic Parts Catalog - Option Detail				
Option	Group	Graphic	Film Card	Date
SG6710	01.02.2	sg600gz	K38	31-MAR-97
Engines	GTA38, K38, KTA38GC CM558, QSK38 CM2150 K106, QSK38 CM2150 MCRS, QSK38 CM850 MCRS			

©Cummins Inc



sg600gz

[SMALL](#) | [MEDIUM](#) | [LARGE](#)

Cart	Ref No	Part Number	Part Description	Required	Remarks
View My Cart					
		SG6710	Damper Guard		Guard, damper...(More)

					damper guard for use with 200
					GPM seawater pump and single
					viscous crank damper.
<input type="checkbox"/>	1	S 188	Hexagon Head Cap Screw	4	3/8 - 24 X 2 1/2 in.
<input type="checkbox"/>	2	S 600	Lock Washer	4	1/4 in.
<input type="checkbox"/>	3	3001954	Damper Guard	1	
<input type="checkbox"/>	4	3393235	Damper Guard	1	

© 2019 Cummins Inc., Box 3005, Columbus, IN 47202-3005 U.S.A.
Terms of Use and Disclaimers | Recommended System Requirements
Need Assistance? Please click on the Contact Us button in the top right corner of any page.